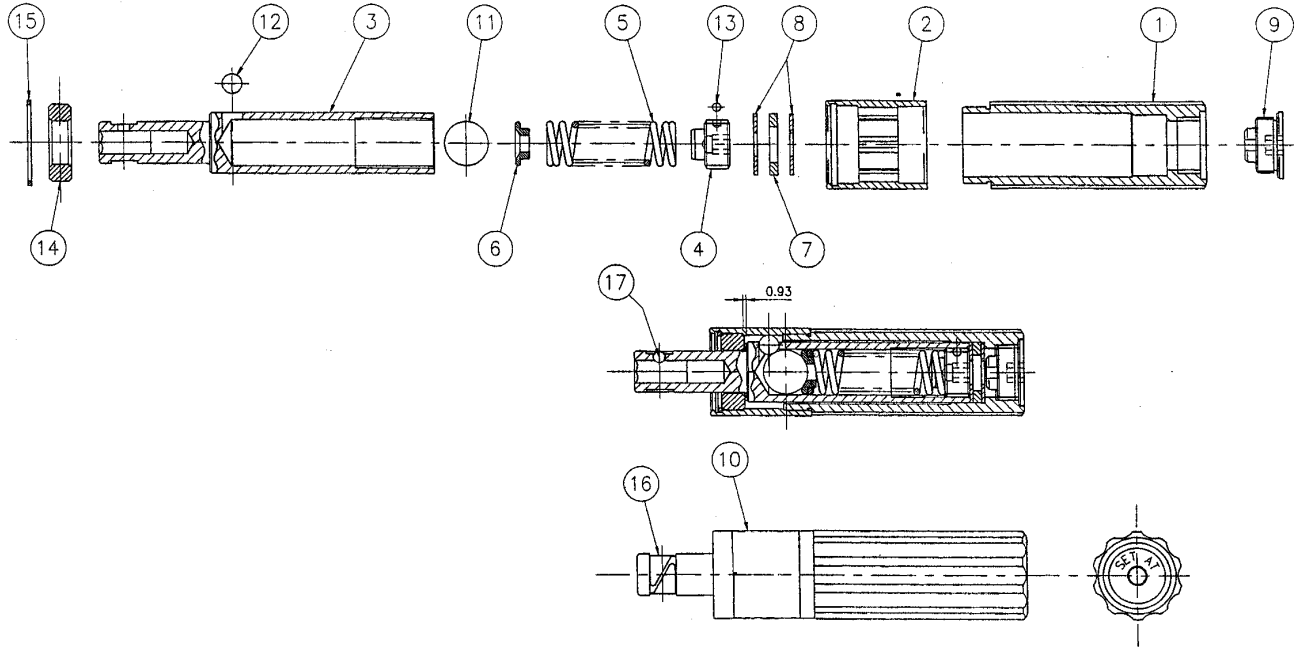


Clean Room (CRS00135FH) Screwdriver



Ref#	Part#	Qty	Description
1	20-B15368	1	Handle - Clean Room
2	20-A84891	1	Cam Ring - Clean Room
3	20-B49341	1	Spring Housing - Clean Room
4	20-A10634	1	Adjusting Screw
5	20-A21060	1	Main Spring
6	20-A15700	1	Spring Thrust pad
7	20-A26490	1	Thrust Washer - Nylatron
8	20-A10662	2	Thrust Washer
9	20-A87970	1	End Cap - Moulded
10	20-B94663	1	Tool Label
11	20-P10630	1	Steel Ball 1/2" Dia
12	20-P10580	3	Steel Ball 7/32" Dia
13	20-P10590	1	Nylon Ball 3/32" Dia
14	20-A51040	1	Radial Bearing
15	20-P10020	1	Retaining ring
16	20-A85640	1	Spring Clip - Clean Room
17	20-P10650	1	Steel Ball 1/8" Dia